



MASTER FX

[IMPACT]

FX CANNON BASE STATION



USER MANUAL

IMPORTANT: READ AND SAVE THESE INSTRUCTIONS

THANK YOU FOR YOUR PURCHASE!

[IMPACT]

FX CANNON BASE STATION

Upon receiving your Impact, promptly open the package and carefully remove contents to verify all components are accounted for and have been shipped and handled with care. If any parts are damaged or missing please notify your Master FX dealer. Packing list includes, but is not limited to:

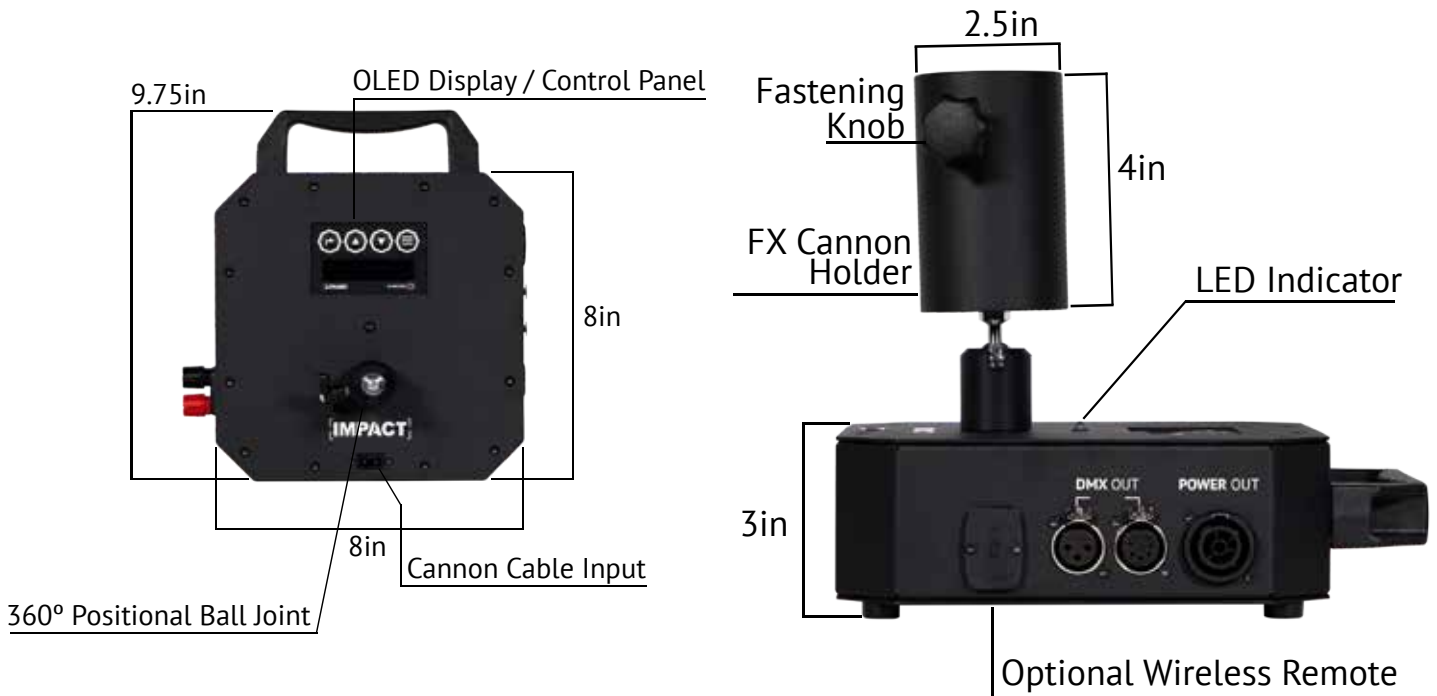
- (1) Impact Base Station
- (1) Removable Tube
- (1) 4ft PowerCon True1
- (1) Wireless Remote (*optional*)

INDEX

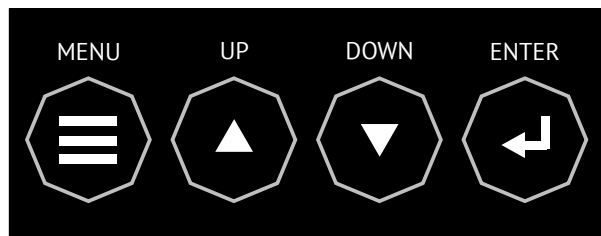
Production Dimensions and Specifications.....	Page 3
Safety Information.....	Page 4
Operation.....	Page 5
Warranty Information.....	Page 6

SPECIFICATIONS / DIMENSIONS / OVERVIEW

Rated Voltage: 100-240V
Frequency: 50/60hz
Power Consumption: 300W
Weight: 4lbs



Button Layout

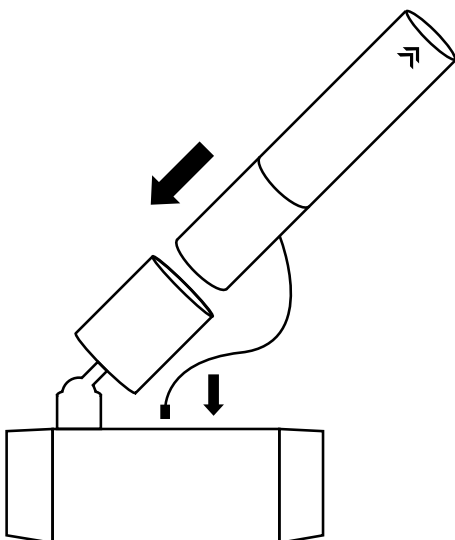


SAFETY



Please read the following information very carefully before operating your Impact. This article contains important details regarding set up, usage, and maintenance. Failure to abide by all warning labels and instructions may result in personal harm, machine malfunction, and a void in warranty.

- Before use, verify your operational mode without an FX cannon installed to avoid potential misfires. For a full list of operational modes, please see page 4.
- When linking power between machines, do not link more than 6 units together.
- Do not aim FX Cannons at persons, FX Cannons can shoot contents up to 50ft.
- When utilizing the 24V operation mode, the firing sequence should be momentary to avoid hazard.
- Do not plug in FX Cannon cable while LED Indicator light is illuminated.
- Keep the unit dry and away from any moisture and flammables.
- If machine is not working properly, promptly stop use and contact your Master FX dealer. Repair and service is to be done only by authorized technicians. Failure to comply will result in a voided warranty.



IMPORTANT!

- Contents inside are Flameproof.
- Cannon barrel is pressurized.
- Do not aim cannon at another person.
- Position cannon at an appropriate angle for ceiling height and safety of others.
- Do not store near a source of heat or in direct sunlight.
- Do not throw cannon.
- This is not a toy and must be used by a responsible adult.
- Please read SDS for further information. SDS can be found at masterfx.com.

OPERATIONAL MODES

Your Impact Base Station comes from the factory ready to use in DMX Mode. It is important to determine which operating mode you are using before plugging in an Impact FX Cannon to avoid misfires.

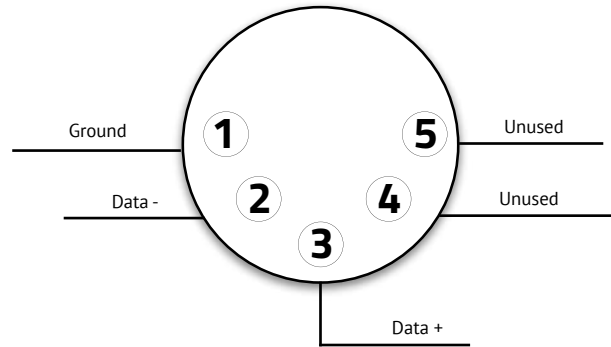


DMX MODE

Ensure DMX controller values are set before powering the unit to avoid misfires. Using the Arrow buttons, select your preferred channel. Please see below for DMX diagram. When armed, the red LED indicator will blink continuously. When engaged, the red LED indicator will be stay constant. DO NOT insert FX Cannon while LED indicator is constant.

Channel	Value	Funtion
1	0-126	Unarmed
1	127-255	Armed
2	0-126	No Function
2	127-255	Fire Cannon

PIN LAYOUT



SWITCH PACK MODE

To activate Switch Pack Mode, press and hold the enter and down button upon startup. The screen will show a prompt, from there you can select on or off. *When operating via Switch Pack Mode, the Impact will fire as soon as the unit receives power. The red light will be illuminated and the screen will read “Confetti”.

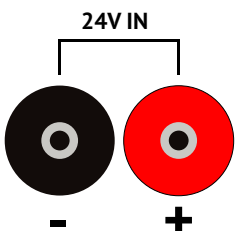


OPTIONAL REMOTE FUNCTION

Push and Hold either button for 10 seconds to pair the remote to the base station. The base station will beep when pairing is complete. For your safety, pairing is erased each time the basestation powers down. Pairing will need to be completed each time the unit powers. To fire with remote, hold the “A” button for 5 seconds. Press the “B” button to reset the firing to fire again.

24V OPERATION

When operating via 24V, no mains power is required. To fire the FX Cannon, simply send voltage to the machine. Voltage should only be applied long enough to fire FX Cannon. For your safety do not send continuous voltage. LED indicator and OLED display are nonoperational when using 24v.



WARRANTY TERMS

**Please Visit MasterFX.com/Warranty to Register your Impact*

Master FX reserves the right to alter the following terms and conditions if contingencies develop which were not apparent at the time of sale.

The warranty is valid to the original purchaser only and covers all internal components and required labor for the first 10 years from date of purchase. Master FX and approved dealers will still perform repairs and regular maintenance outside of the 10 year warranty at the owner's expense. The timeline of repair is at the discretion of Master FX and approved dealers. All repairs must have an RA (Return Authorization) number clearly noted on the box prior to returning for service, any packages without an RA will not be accepted. To schedule repairs and receive a RA, please email info@masterfx.com or call 877.578.6577. The customer is responsible for any shipping cost that may incur.

Insignificant deviations of the regular production quality does not guarantee repair or replacement rights. Moreover, the warranty does not cover faults or defects caused by misuse or negligence; e.g. improper ventilation, dropping machine, exposure to moisture, etc. The use of any effects cannons other than Master FX Impact Shots is strictly prohibited, failure to comply will void warranty. Additionally, tampering with the internals and modifications will also void warranty. All service is to be done by Master FX authorized technicians only. Master FX is not liable for repair delays due to fire, strikes, or causes beyond our control.

How to Get Service

To inquire about repairs, email info@masterfx.com or call 877.578.6577